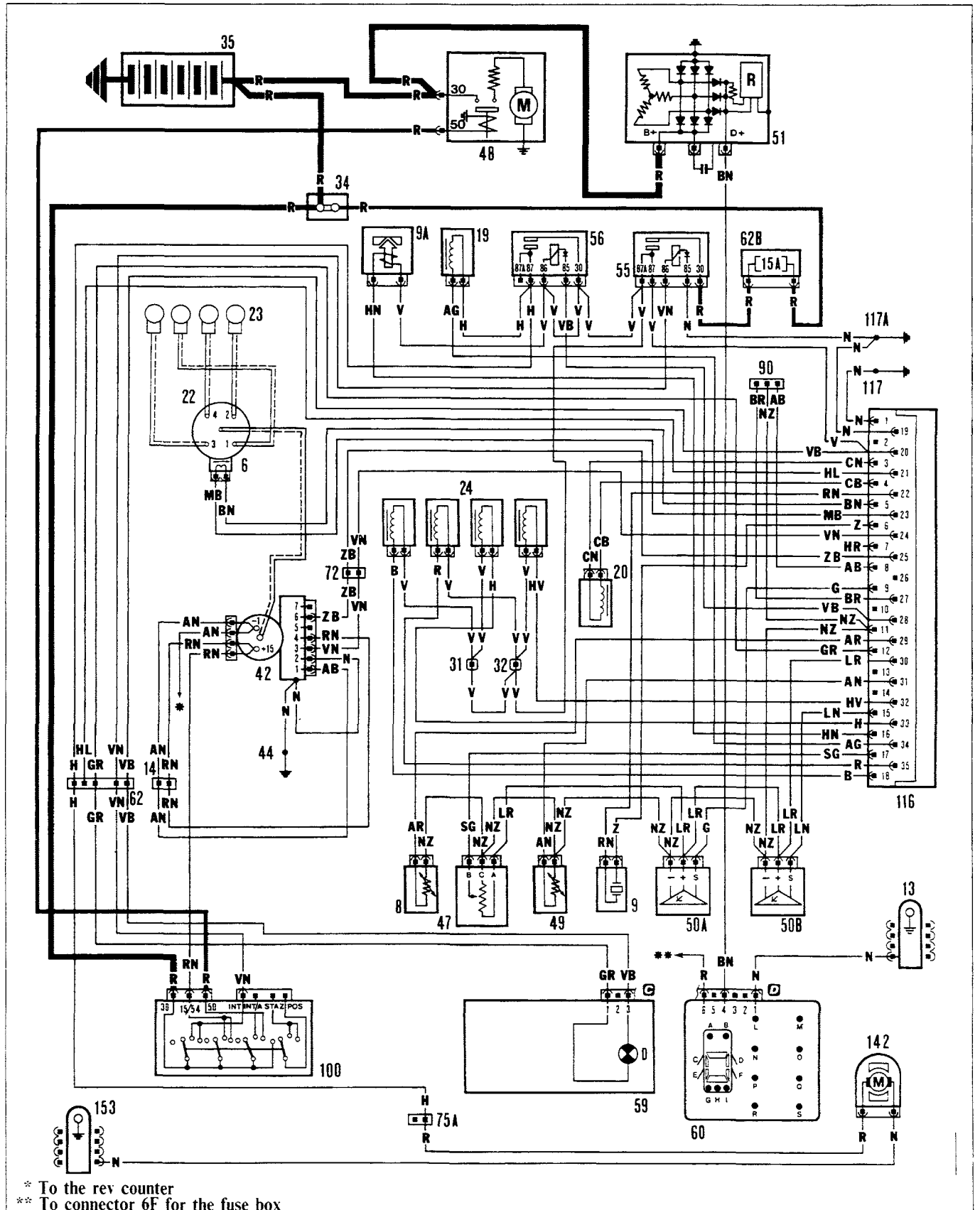


- Wiring diagrams
- Key

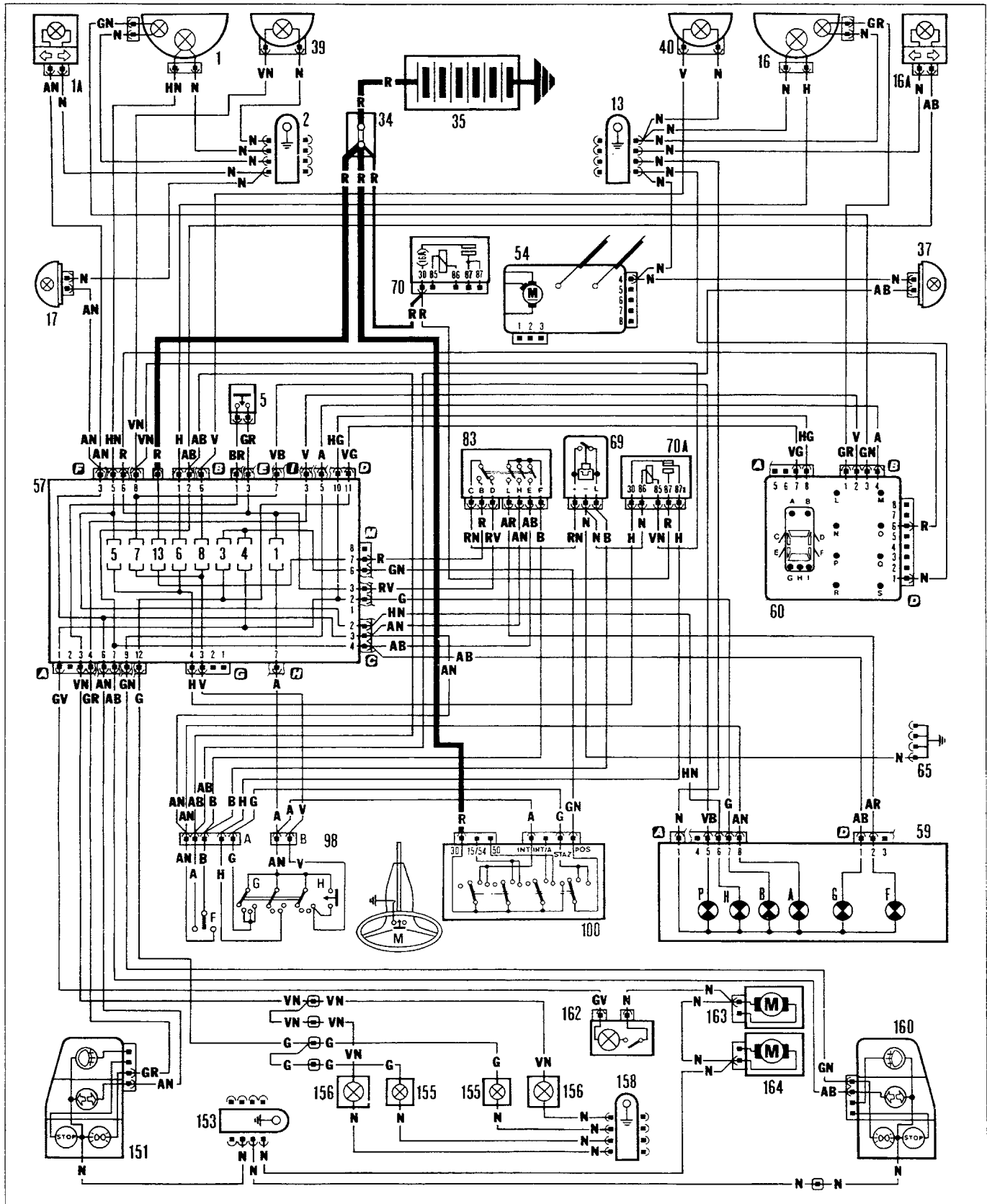
Starting - Ignition - I.A.W. electronic injection - Recharging - Electric fuel pump (see key at end of wiring diagrams)



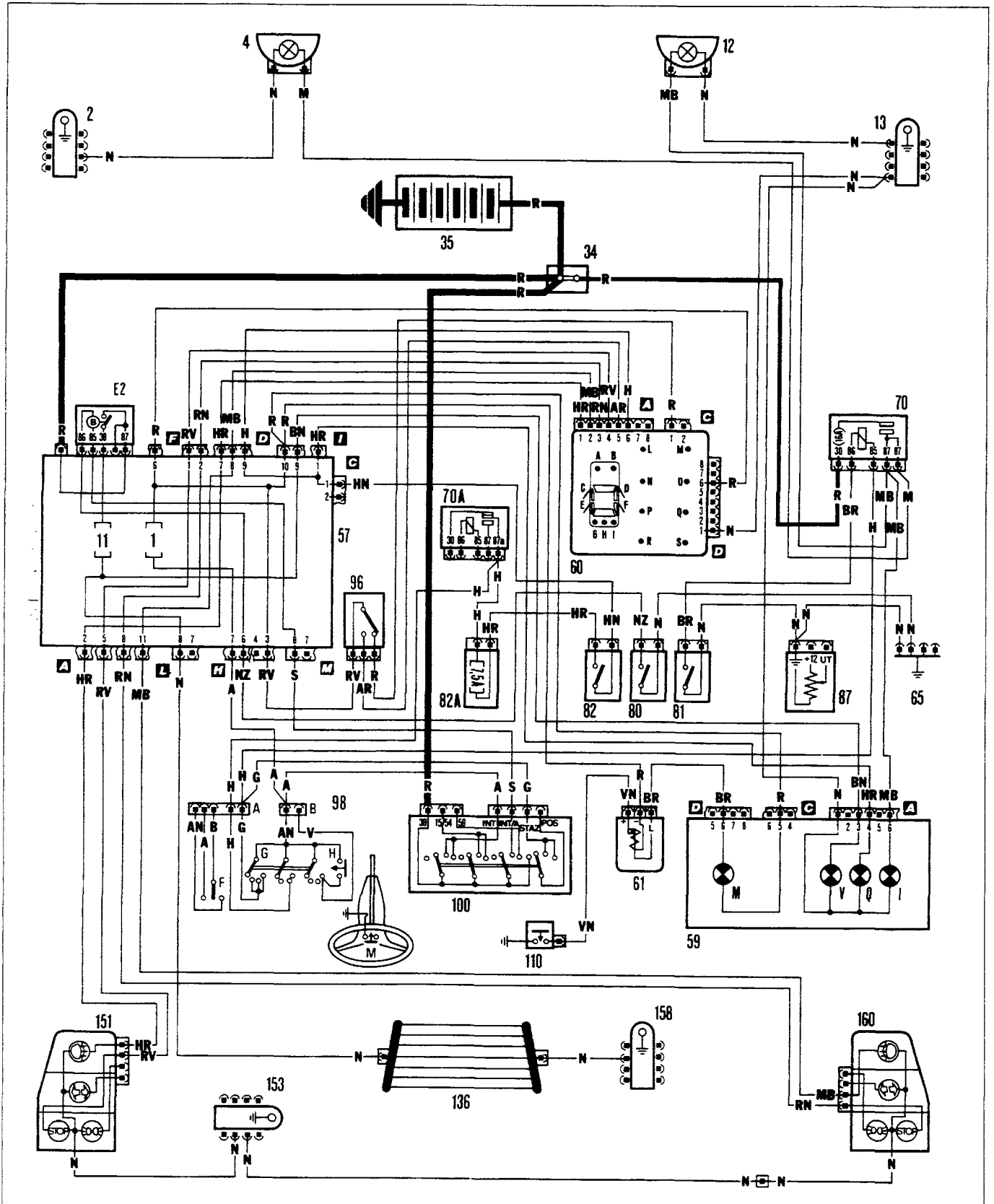
* To the rev counter
** To connector 6F for the fuse box

55.

Parking lights and warning lamp - Main beam headlamps and warning light - Dipped headlamps and warning light - Headlamp flasher - Hazard warning lights and warning light - Direction indicators and warning light - Number plate lights - Reversing light - Luggage compartment light (see key at end of wiring diagrams)

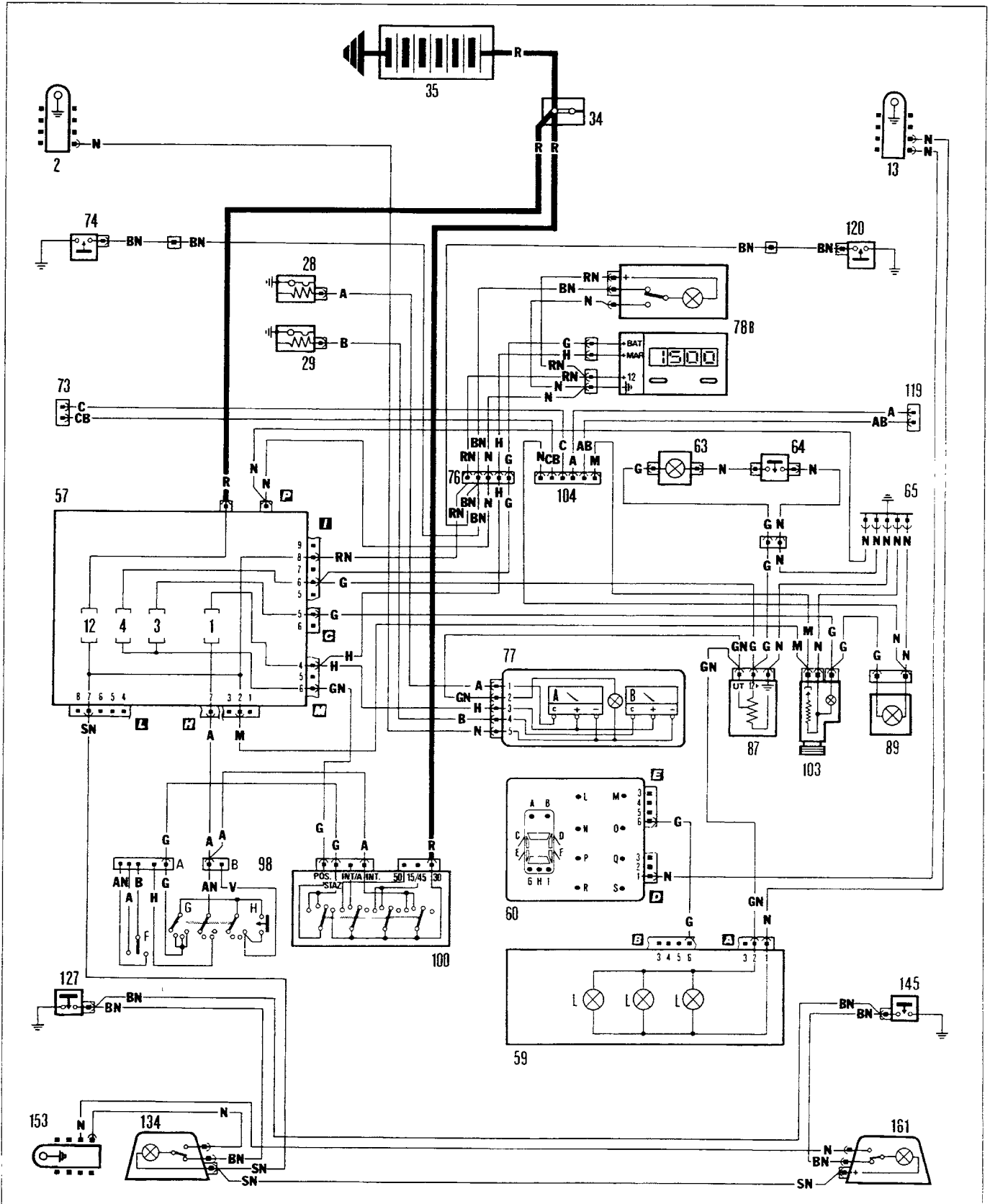


Heated rear windscreen and warning light - Fog lights and warning light - Rear fog lamps and warning light - Braking lights - Hand-brake warning light (see key at end of wiring diagrams)

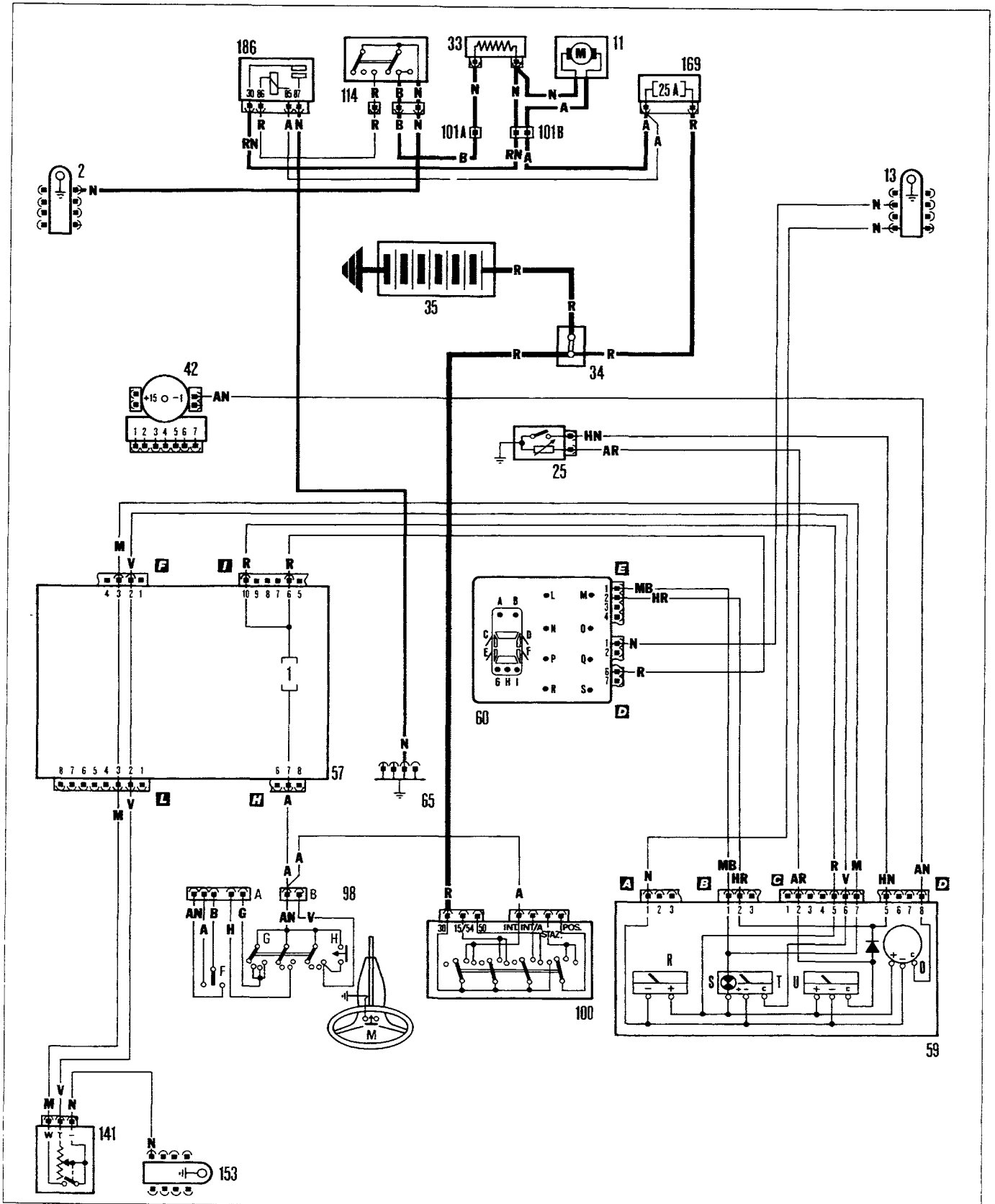


55.

Courtesy light - Glove compartment light - Cigar lighter - Combined instrument (A-Oil pressure gauge B-Oil temperature gauge) - Digital clock - Wiring for radio - Light for switches - Instrument panel light and Control-System (see key at end of wiring diagrams)

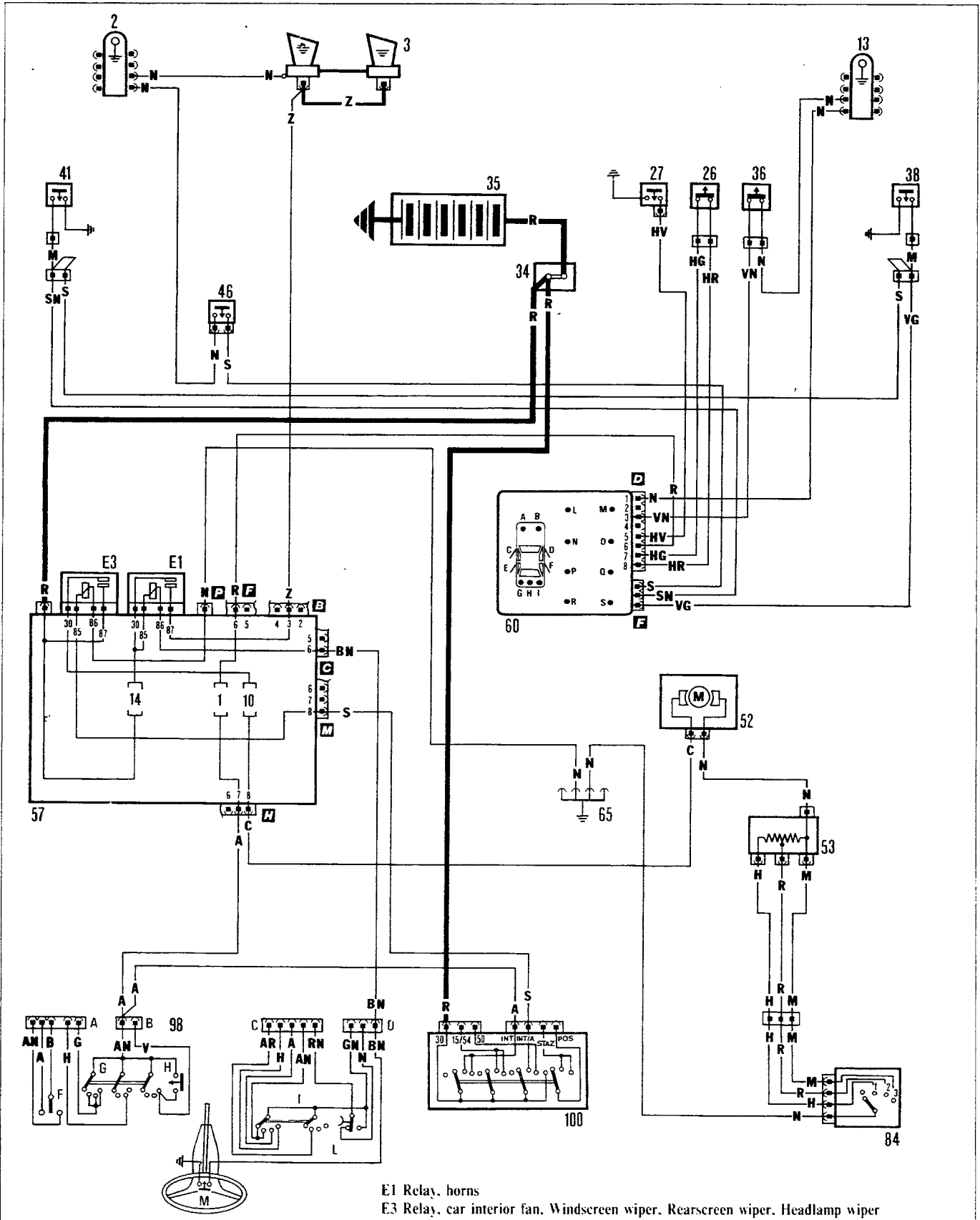


Engine radiator cooling - Fuel gauge and reserve warning light - Rev counter - Voltmeter - Engine coolant temperature gauge and overheating warning light (see key at end of wiring diagrams)

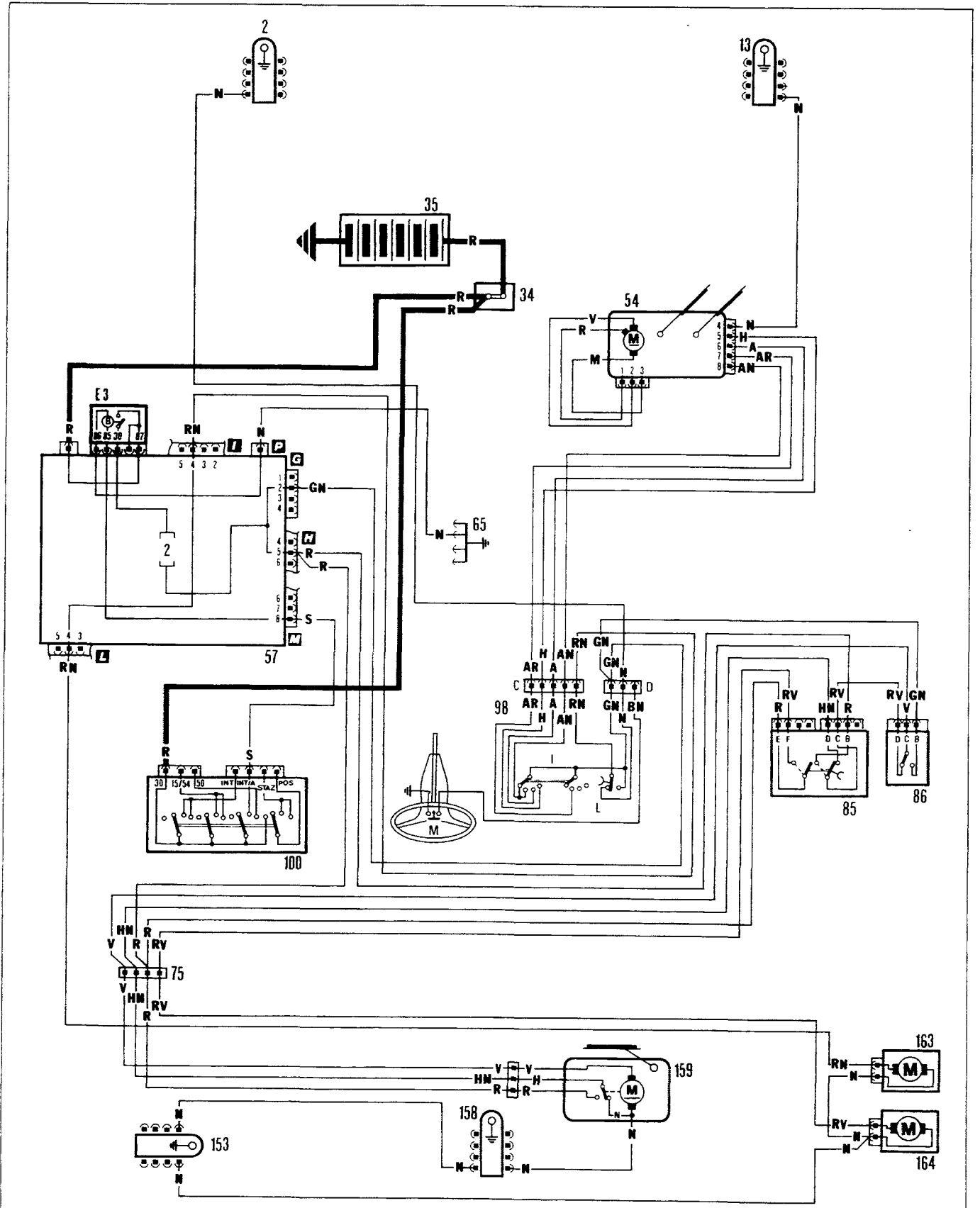


55.

Horns - Car interior ventilation - Front brake pad wear warning light - Brake fluid level warning light - Insufficient engine oil pressure - Insufficient engine oil level - Insufficient coolant level (see key at end of wiring diagrams)

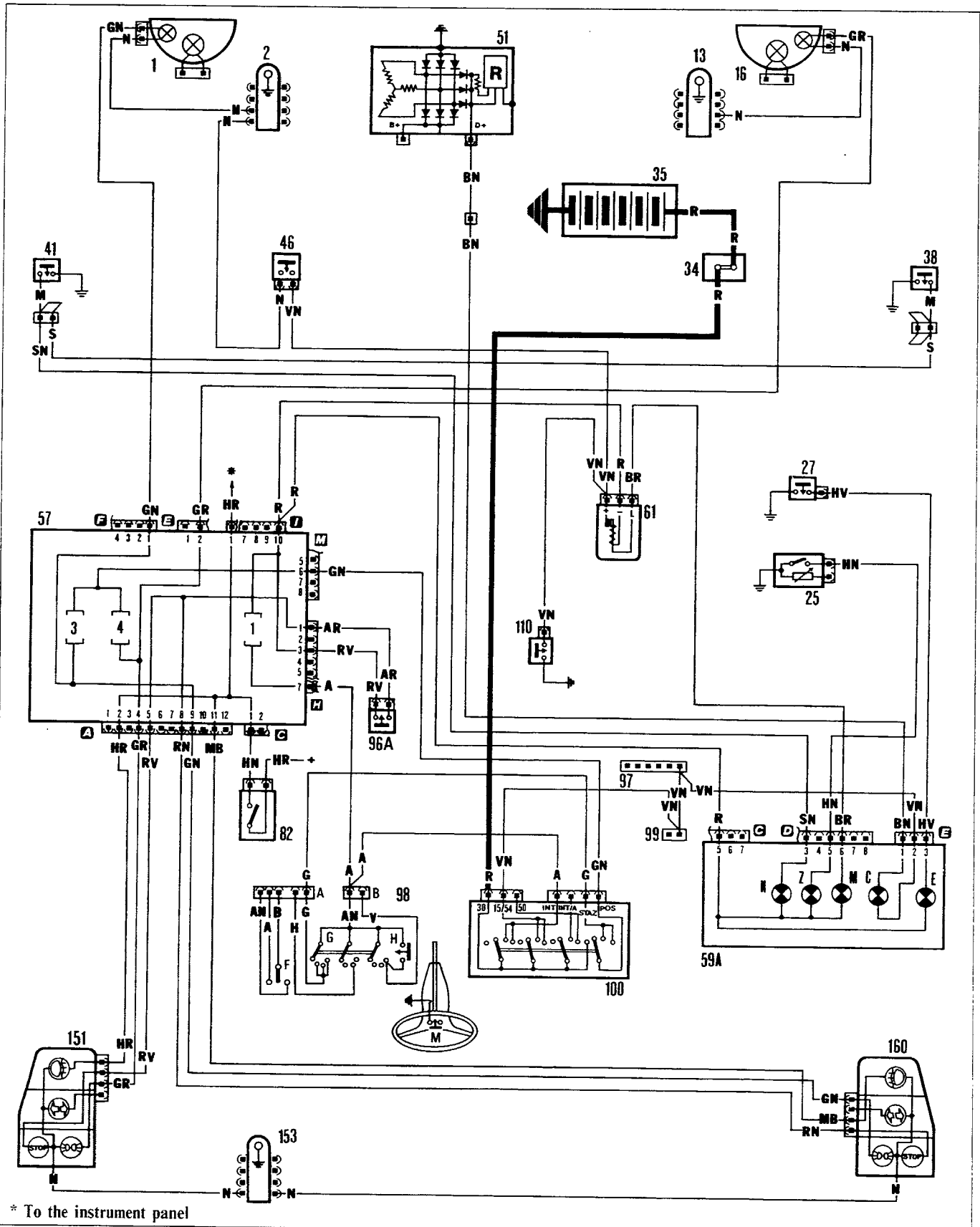


Windscreen wiper with electric washer pump - Rearscreen wiper with electric washer pump (see key at end of wiring diagrams)

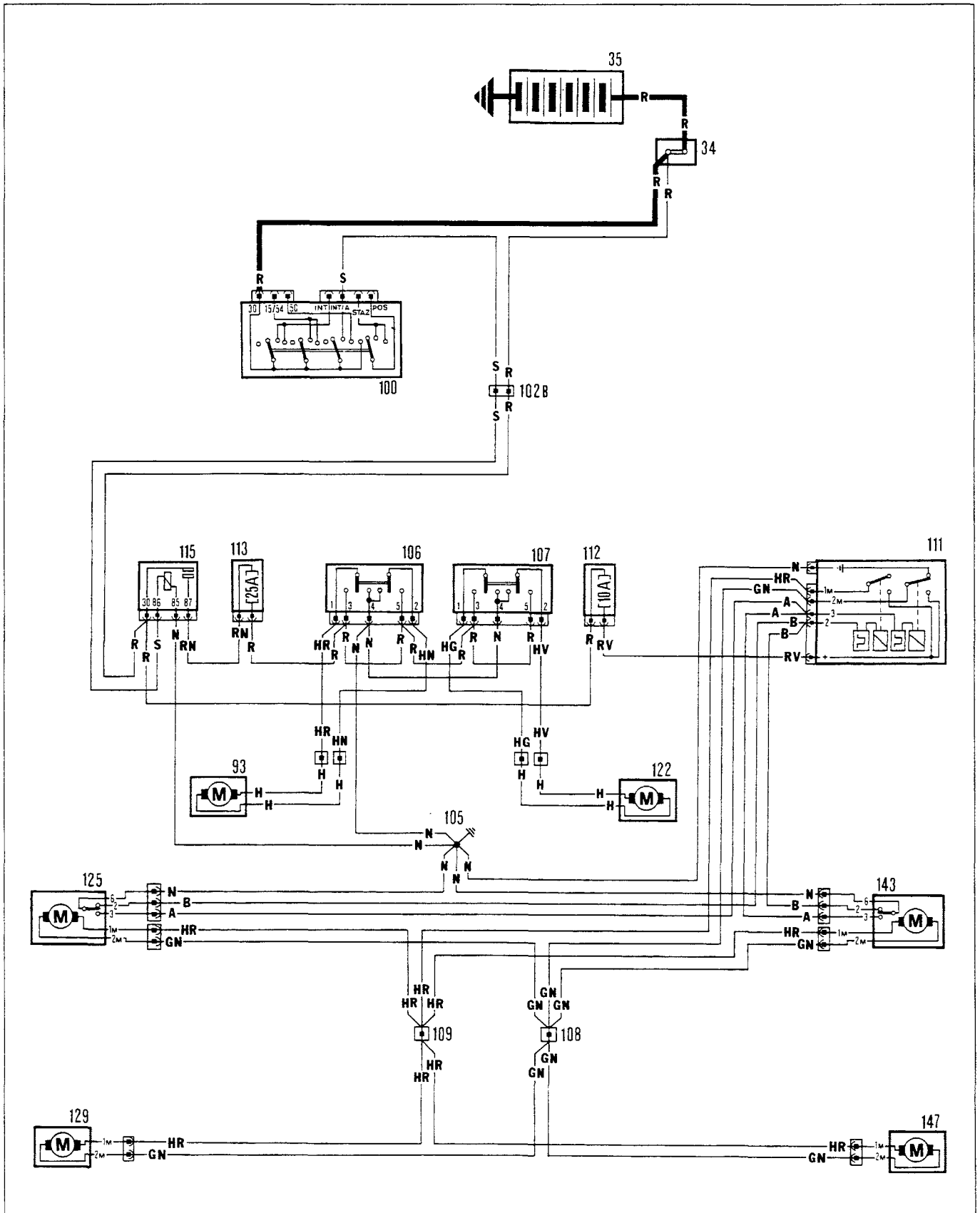


55.

Variant without Control-System: Battery recharging warning light - Insufficient engine oil pressure warning light - Brake fluid level and handbrake applied warning light - Brake pad wear warning lamp - Engine coolant overheating warning light - Side lights - Braking lights - Rear fog lamps (see key at end of wiring diagrams)

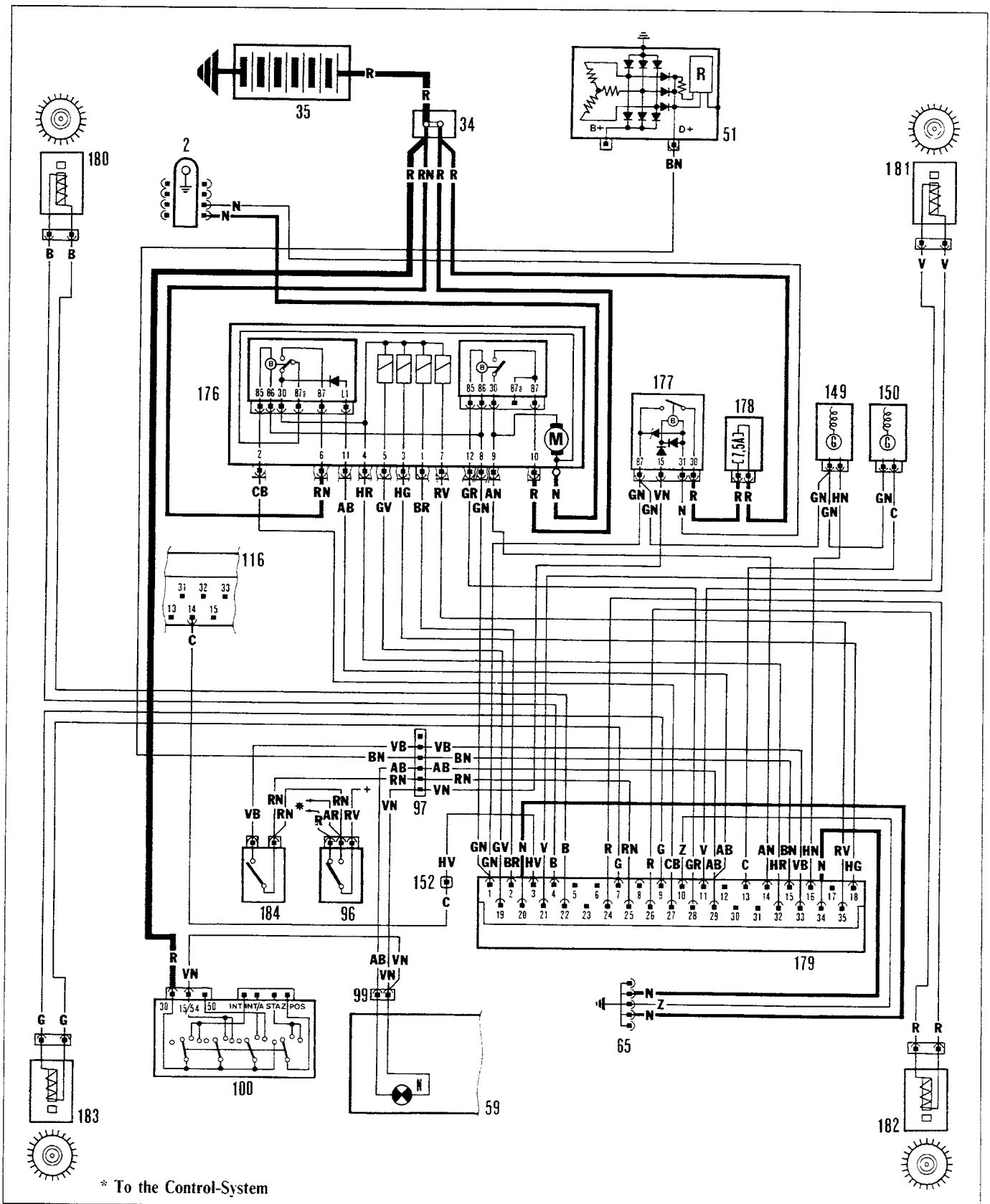


Electric front window - Central locking (see key at end of wiring diagrams)

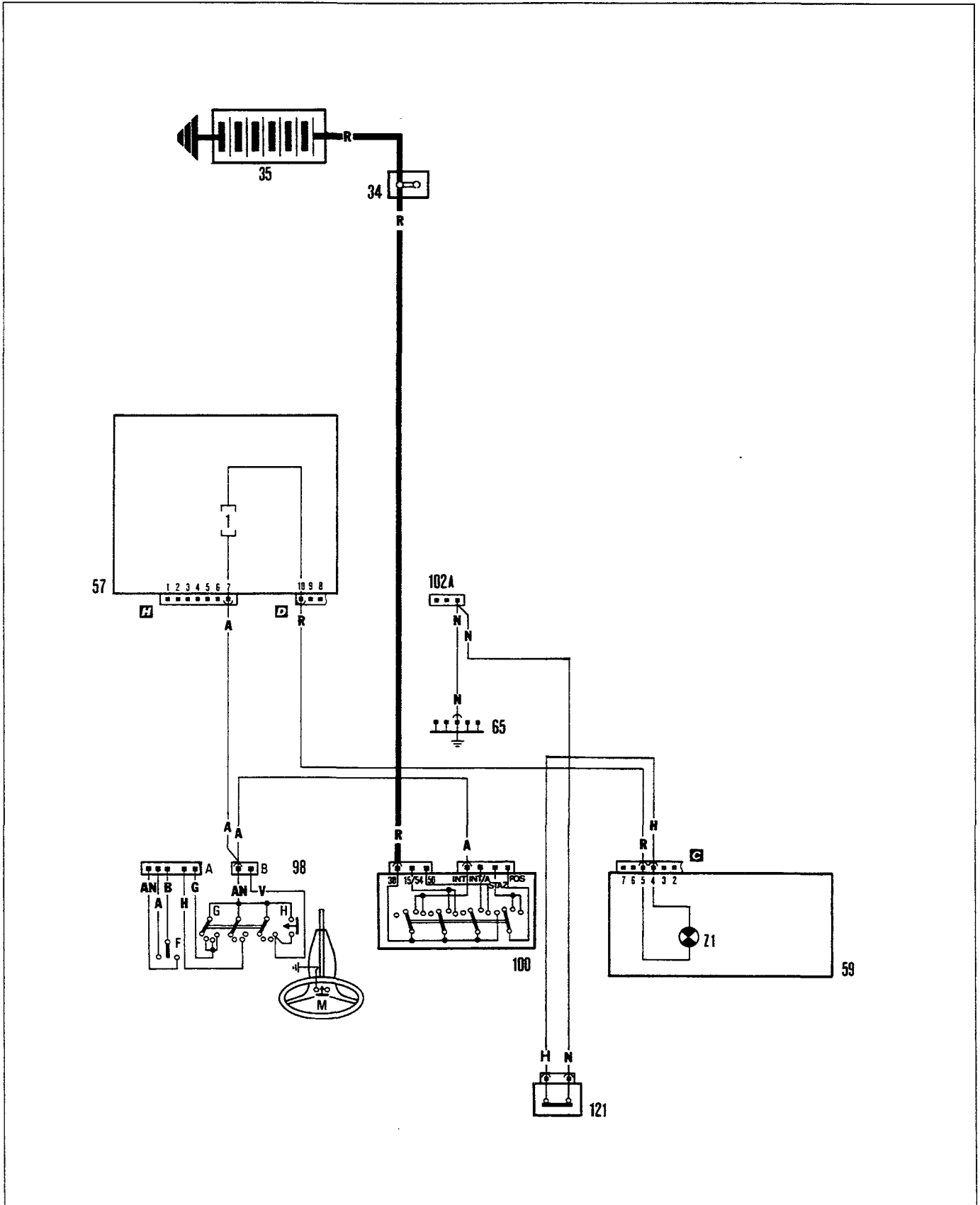


55.

A.B.S. anti-lock braking system (see key at end of wiring diagrams)



Seat belts warning light (see key at end of wiring diagrams)



Key

1. Left front light cluster side lights and dipped headlamps)
- 1A. Left front direction indicator
2. Left front earth cable loom
3. Electric horns
4. Left fog lamp
5. Reversing lights switch
6. Timing sensor (located in ignition distributor)
8. Engine coolant temperature sensor (I.A.W.)
9. Detonation sensor
- 9A. Over-boost solenoid valve
11. Radiator cooling fan
12. Right fog lamp
13. Right front earth cable loom
14. Connector block
16. Right front light cluster (Side lights and dipped headlamp)
- 16A. Right front direction indicator
17. Left side direction indicator
19. Automatic idle adjustment solenoid air valve (I.A.W.)
20. Rpm and TDC sensor (I.A.W.)
22. Ignition distributor
23. Spark plugs
24. Fuel injectors
25. Engine coolant temperature sender unit
26. Engine oil level sensor
27. Insufficient engine oil pressure switch
28. Engine oil pressure sender unit
29. Engine oil temperature sender unit
30. Main beam headlamps relay
31. Electronic injection connector (I.A.W.)
32. Electronic injection (I.A.W.) connector
33. Resistor for engaging radiator cooling fan 1st speed
34. Connector
35. Battery
36. Coolant level sensor
37. Right side direction indicator
38. Right front brake pad wear sensor
39. Left main beam headlamp
40. Right main beam headlamp
41. Left front brake pad wear sensor
42. Ignition coil
44. Earth on engine
46. Brake fluid level sensor
47. Butterfly valve position sensor (I.A.W.)
48. Starter motor
49. Air temperature sensor (I.A.W.)
- 50A. Absolute pressure sensor (I.A.W.)
- 50B. Absolute pressure sensor (I.A.W.)
51. Alternator
52. Heater fan
53. Resistor for adjusting fan speed
54. Windscreen wiper with built in intermittent device
55. Injector relay feed
56. Electric fuel pump relay feed
57. Fuse carrier and relay control box
 - E1. Electric horn relay
 - E2. Heated rear windscreen relay
 - E3. Relay for heater fan - windscreen wiper - rearscreen wiper - headlamp wiper
59. Instrument panel
 - A Left side direction indicators warning light
 - B Side lights warning light
 - D System failure warning light (I.A.W.)
- C Control-System general fault warning light
- E Starting go-ahead warning light
- F Hazard warning lights warning light
- G Right side direction indicators warning light
- H Dipped headlamps warning light
- I Fog lights warning light
- L Instrument panel light bulbs
- M Handbrake warning light
- N A.B.S. failure warning light
- O Rev counter
- P Main beam headlamps warning light
- Q Rear fog lamps warning light
- R Voltmeter
- S Fuel reserve warning light
- T Fuel level gauge
- U Coolant temperature gauge
- V Heated rear windscreen warning light
- Z Over-boost warning light
- Z1 Seat belt warning light
- 59A. Instrument panel (version without Control-System)
 - C Battery recharging warning light
 - E Insufficient engine oil pressure warning light
 - M Handbrake applied and insufficient brake fluid level warning light
 - N Front brake pad wear warning light
 - Z Coolant overheating warning light
60. Control-System
 - A Left front side light failure warning light
 - B Right front side light failure warning light
 - C Right front door ajar warning light
 - D Left front door ajar warning light
 - E Right rear door ajar warning light
 - F Left rear door ajar warning light
 - G Warning light signalling failure in left rear side lights, brake lights
 - H Rear fog lamps warning light
 - I Warning light signalling failure in right rear side lights, brake lights
 - L Insufficient brake fluid level warning light
 - M Front brake pad wear warning light
 - N Insufficient engine oil pressure warning light
 - O Battery recharging warning light
 - P Insufficient engine oil level warning light
 - Q Insufficient coolant level warning light
 - R Automatic gearbox oil overheating warning light
 - S Engine coolant overheating warning light
61. Intermittent device for handbrake warning light
62. Connector block

- C Control-System general fault warning light
- E Starting go-ahead warning light
- F Hazard warning lights warning light
- G Right side direction indicators warning light
- H Dipped headlamps warning light
- I Fog lights warning light
- L Instrument panel light bulbs
- M Handbrake warning light
- N A.B.S. failure warning light
- O Rev counter
- P Main beam headlamps warning light
- Q Rear fog lamps warning light
- R Voltmeter
- S Fuel reserve warning light
- T Fuel level gauge
- U Coolant temperature gauge
- V Heated rear windscreen warning light
- Z Over-boost warning light
- Z1 Seat belt warning light
- 59A. Instrument panel (version without Control-System)
 - C Battery recharging warning light
 - E Insufficient engine oil pressure warning light
 - M Handbrake applied and insufficient brake fluid level warning light
 - N Front brake pad wear warning light
 - Z Coolant overheating warning light
- 60. Control-System
 - A Left front side light failure warning light
 - B Right front side light failure warning light
 - C Right front door ajar warning light
 - D Left front door ajar warning light
 - E Right rear door ajar warning light
 - F Left rear door ajar warning light
 - G Warning light signalling failure in left rear side lights, brake lights
 - H Rear fog lamps warning light
 - I Warning light signalling failure in right rear side lights, brake lights
 - L Insufficient brake fluid level warning light
 - M Front brake pad wear warning light
 - N Insufficient engine oil pressure warning light
 - O Battery recharging warning light
 - P Insufficient engine oil level warning light
 - Q Insufficient coolant level warning light
 - R Automatic gearbox oil overheating warning light
 - S Engine coolant overheating warning light
- 61. Intermittent device for handbrake warning light
- 62. Connector block
 - 62A. Control-System diagnostic socket
 - 62B. 15 A protective fuse for injectors and electric fuel pump
 - 63. Glove compartment light
 - 64. Glove compartment light push button
 - 65. Earth cable loom under dashboard
 - 69. Intermittent device for direction indicators and hazard warning lights
 - 70. Fog lights relay
 - 70A. Dipped headlamps remote control switch
 - 72. Connector block
 - 73. Left front speaker wiring
 - 74. Front courtesy light push button on left front pillar
 - 75. Connector block
 - 75A. Connector block
 - 76. Connector block for courtesy light
 - 77. Combined instrument
 - A - Oil pressure gauge
 - B - Oil temperature gauge
 - 78. Front courtesy light
 - 78B. Front courtesy light with digital clock
 - 80. Heated rear windscreen switch
 - 81. Fog lights switch
 - 82. Rear fog lamps switch
 - 82A. 7.5 A protective fuse for rear fog lamps
 - 83. Hazard warning lights switch
 - 84. Heater fan switch
 - 85. Rearscreen wash/wipe switch
 - 86. Rearscreen wiper switch
 - 87. Instrument panel and Control-System light dimmer
 - 89. Switch fibre optic light
 - 90. Diagnostic socket
 - 93. Left front electric window motor
 - 96. Brake lights switch
 - 96A. Brake lights switch
 - 97. Wiring for anti-lock brakes
 - 98. Steering column switch unit
 - A - Connector
 - B - Connector
 - C - Connector
 - D - Connector
 - E - Connector
 - F - Direction indicators control
 - G - Control for side lights, dipped and main beam headlamps
 - H - Main beam headlamps control
 - I - Windscreen wiper control
 - L - Windscreen and headlamp washer control
 - M - Horn control
 - 99. Wiring for anti-lock braking system failure warning light
 - 100. Ignition switch
 - 101A. Connector block
 - 101B. Connector block
 - 102A. Wiring for Control-System
 - 102B. Wiring for electric windows - central locking
 - 103. Cigar lighter
 - 104. Wiring for radio
 - 105. Earth point
 - 106. Left front electric window switch
 - 107. Right front electric window switch
 - 108. Connector
 - 109. Connector
 - 110. Handbrake warning light push button
- 111. Central door locking control unit
- 112. 10 A protective fuse for central locking control unit
- 113. 25 A protective fuse for electric front windows
- 114. Double contact thermal switch on engine radiator
- 115. Electric windows relay
- 116. Injection/ignition control unit (I.A.W.)
- 117. Connector
- 117A. Connector
- 118. Connector block
- 119. Right front speaker wiring
- 120. Front courtesy light push button on right front pillar
- 121. Seat belt warning light switch
- 122. Right front electric window motor
- 125. Left front door locking motor
- 126. Push button signalling left front door ajar
- 127. Rear courtesy light push button on left centre pillar
- 129. Left rear door locking motor
- 130. Push button signalling left rear door ajar
- 134. Left rear courtesy light
- 136. Heated rear windscreen
- 141. Fuel level gauge and reserve warning light control
- 142. Electric fuel pump
- 143. Right front door locking motor
- 144. Push button signalling right front door ajar
- 145. Courtesy light push button on right centre pillar
- 147. Right rear door locking motor
- 148. Push button signalling right rear door ajar
- 149. Accelerometer
- 150. Accelerometer
- 151. Left rear light cluster
- 152. Connector block
- 153. Rear earth cable loom
- 154. Heated Lambda sensor
- 155. Number plate lights
- 156. Reversing lights
- 158. Earth cable loom on tailgate
- 159. Rearscreen wash/wipe
- 160. Right rear light cluster
- 161. Right rear courtesy light
- 162. Luggage compartment courtesy light
- 163. Electric windscreen washer pump
- 164. Electric pump for rearscreen washer
- 169. 25 A protective fuse for engine cooling fan
- 176. Hydraulic control unit
- 177. Anti-lock brakes relay circuit
- 178. 7.5 A protective fuse for anti-lock braking system circuit
- 179. Anti-lock braking system electronic control unit
- 180. Sensor on left front wheel
- 181. Sensor on right front wheel
- 182. Sensor on right rear wheel
- 183. Sensor on left rear wheel
- 184. Switch on clutch pedal
- 185. Dipped beam headlamps relay
- 186. Relay for engaging engine cooling fan 2nd speed

Cable colour code

- A Light blue
- B White
- C Orange
- G Yellow
- H Grey
- L Blue
- M Brown
- N Black
- R Red
- S Pink
- V Green
- Z Violet
- AB Light blue/White
- AG Light blue/Yellow
- AN Light blue/Black
- AR Light blue/Red
- AV Light blue/Green
- BG White/Yellow
- BL White/Blue
- BN White/Black
- BR White/Red
- BV White/Green
- BZ White/Violet
- CA Orange/Light blue
- CB Orange/White
- CN Orange/Black
- GN Yellow/Black
- GL Yellow/Blue
- GR Yellow/Red
- GV Yellow/Green
- HG Grey/Yellow
- HN Grey/Black
- HR Grey/Red
- HV Grey/Green
- LB Blue/White
- LG Blue/Yellow
- LN Blue/Black
- LR Blue/Red
- LV Blue/Green
- MB Brown/White
- MN Brown/Black
- NZ Black/Violet
- RB Red/White
- RG Red/Yellow
- RN Red/Black
- RV Red/Green
- SN Pink/Black
- VB Green/White
- VN Green/Black
- VR Green/Red
- ZB Violet/White