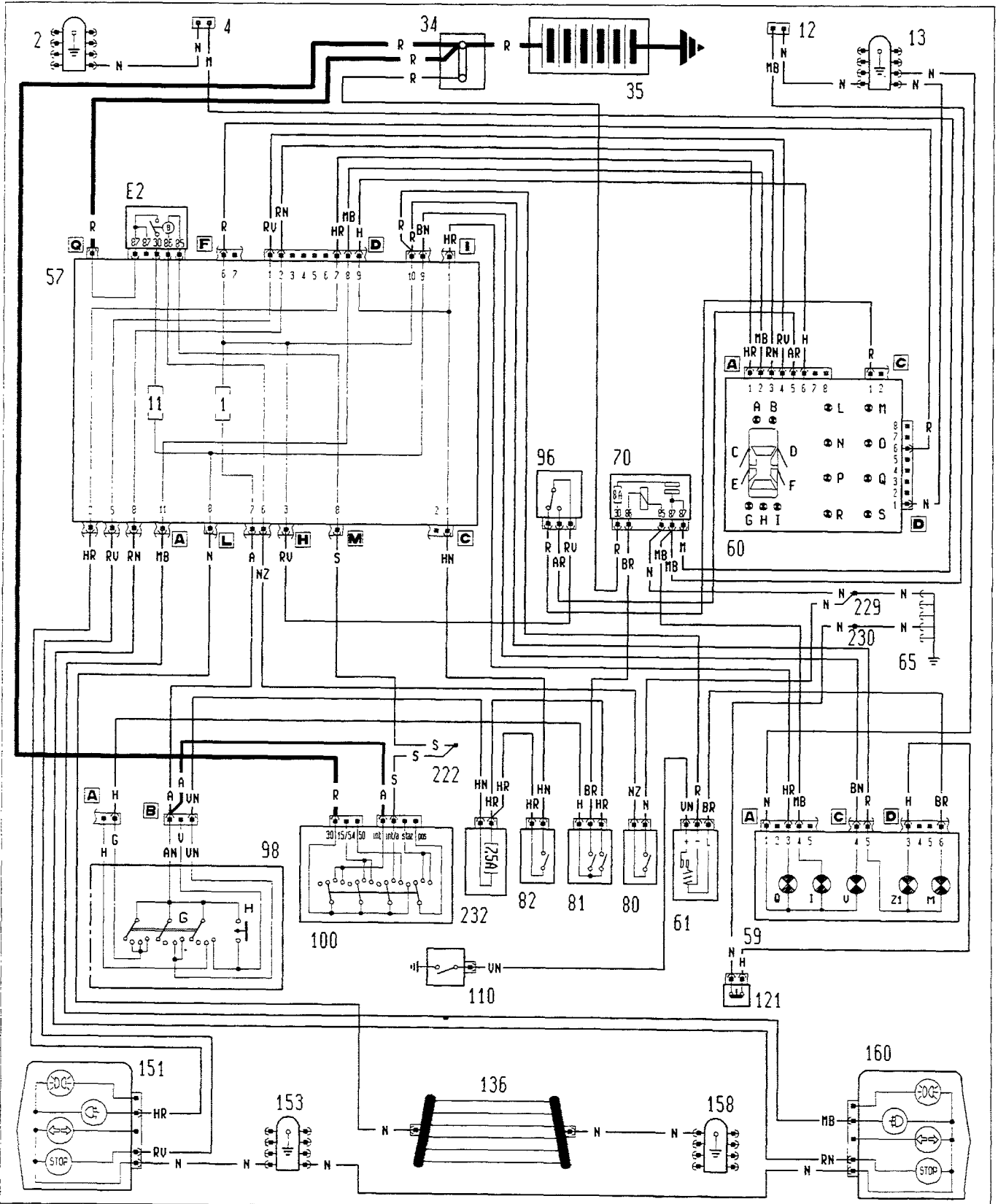


page

Wiring diagrams	1
Key	13

Version with Control-System

Rear fog lamps and warning light - Brake light - Heated rear windscreen and warning light - Wiring for fog light and warning light - Handbrake warning light - Seat belt not fastened warning light (see key at end of wiring diagrams).

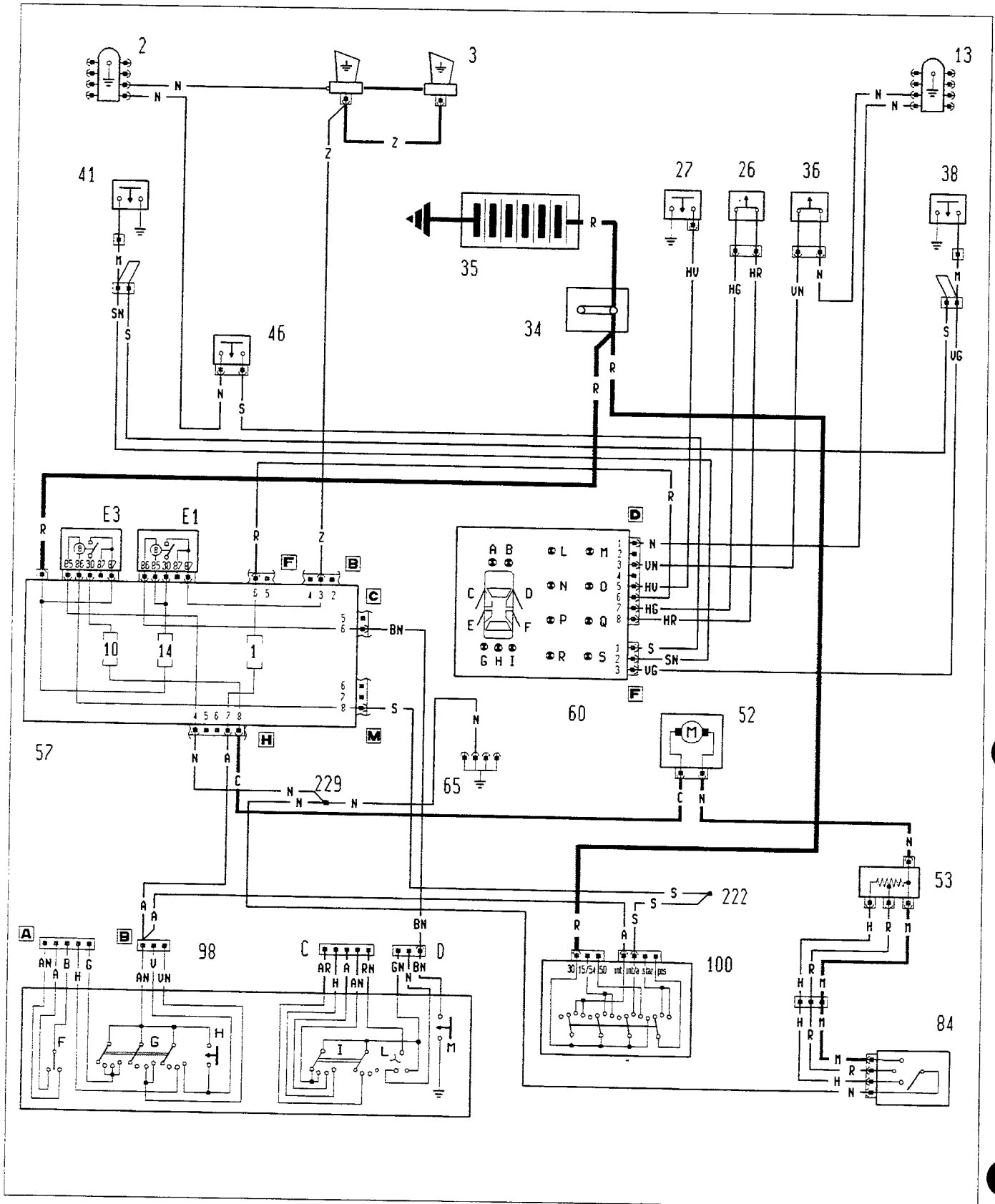


P1L01DL01

55.

Version with Control-System

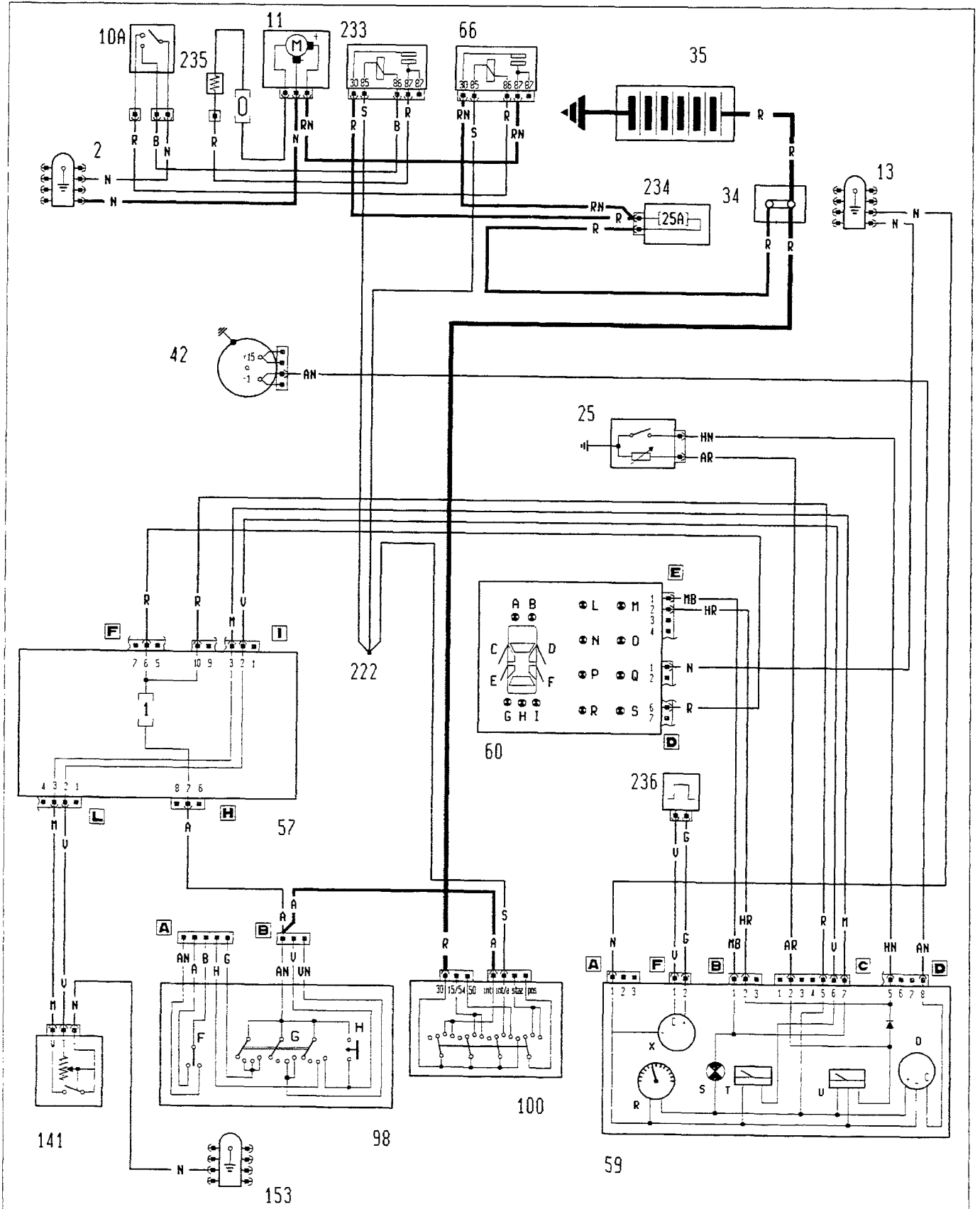
Electric horns - Car interior ventilation - Front brake pad wear warning light - Insufficient brake fluid level warning light - Insufficient engine oil pressure warning light - Insufficient engine oil level warning light - Insufficient coolant level warning light (see key at end of wiring diagrams)



P1L02DL01

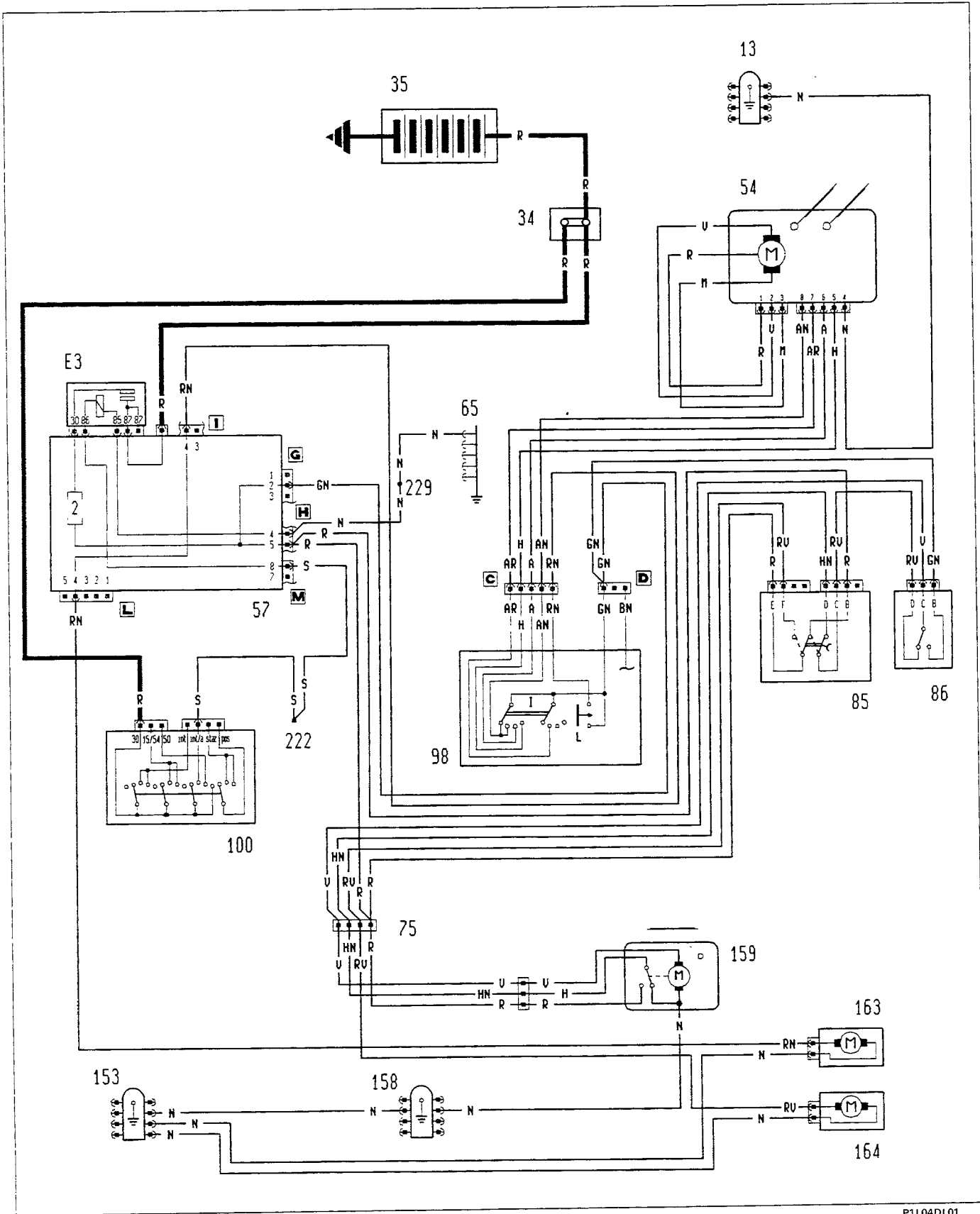
Version with Control-System

Engine cooling - Fuel level gauge and reserve warning light - Rev counter - Voltmeter - Coolant temperature gauge and overheating warning light (see key at end of wiring diagrams).



55.

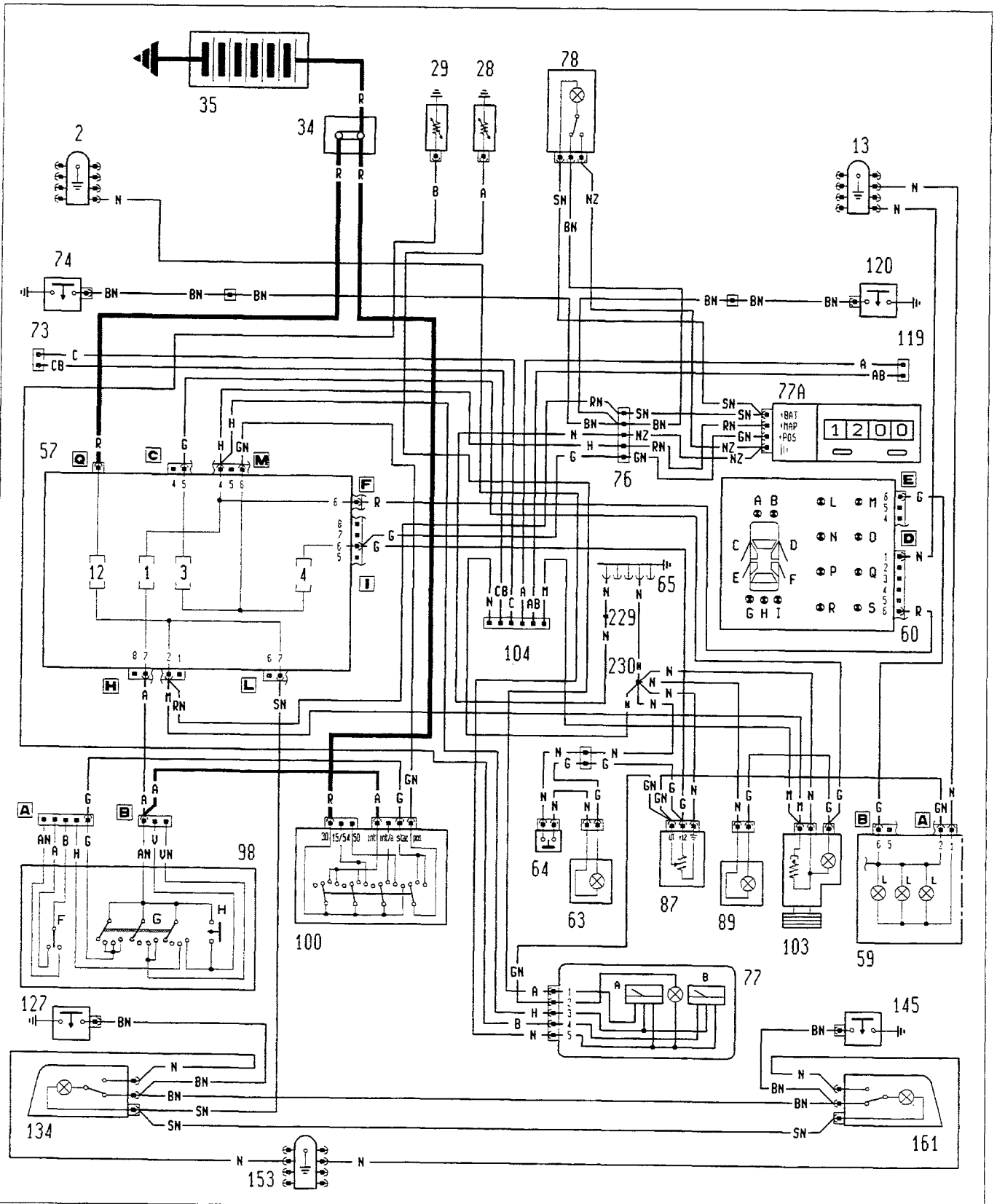
Windscreen wiper - Rearscreen wash/wipe - Electric windscreen washer pump - Electric rearscreen washer pump (see key at end of wiring diagrams)



P1L04DL01

Version with Control-System

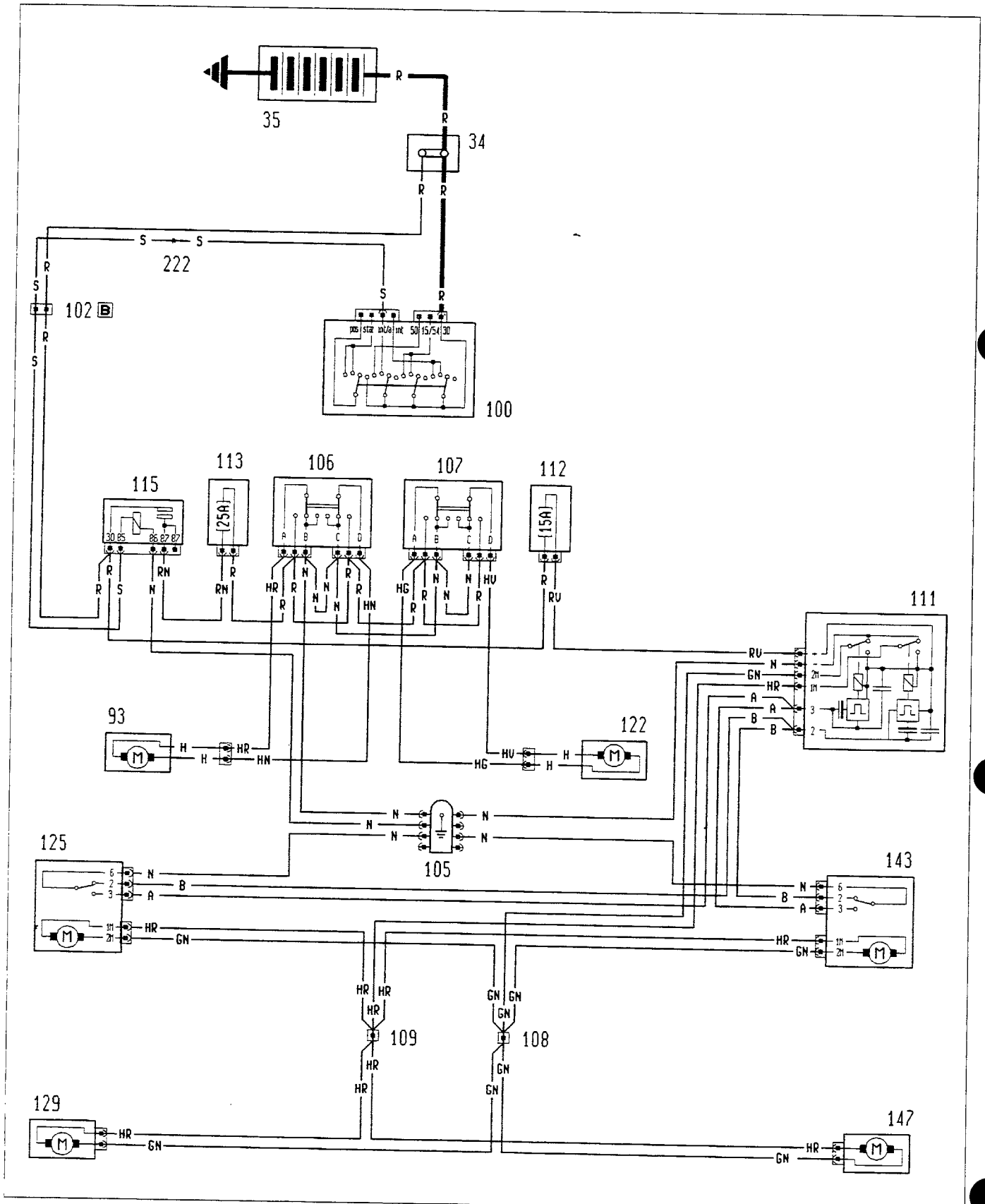
Courtesy light - Glove compartment light - Cigar lighter - Digital clock - Wiring for radio - Switch lighting - Instrument panel light and dimmer - Combined instrument - Engine oil pressure gauge - Engine oil temperature gauge (see key at end of wiring diagrams).



P1L05DL01

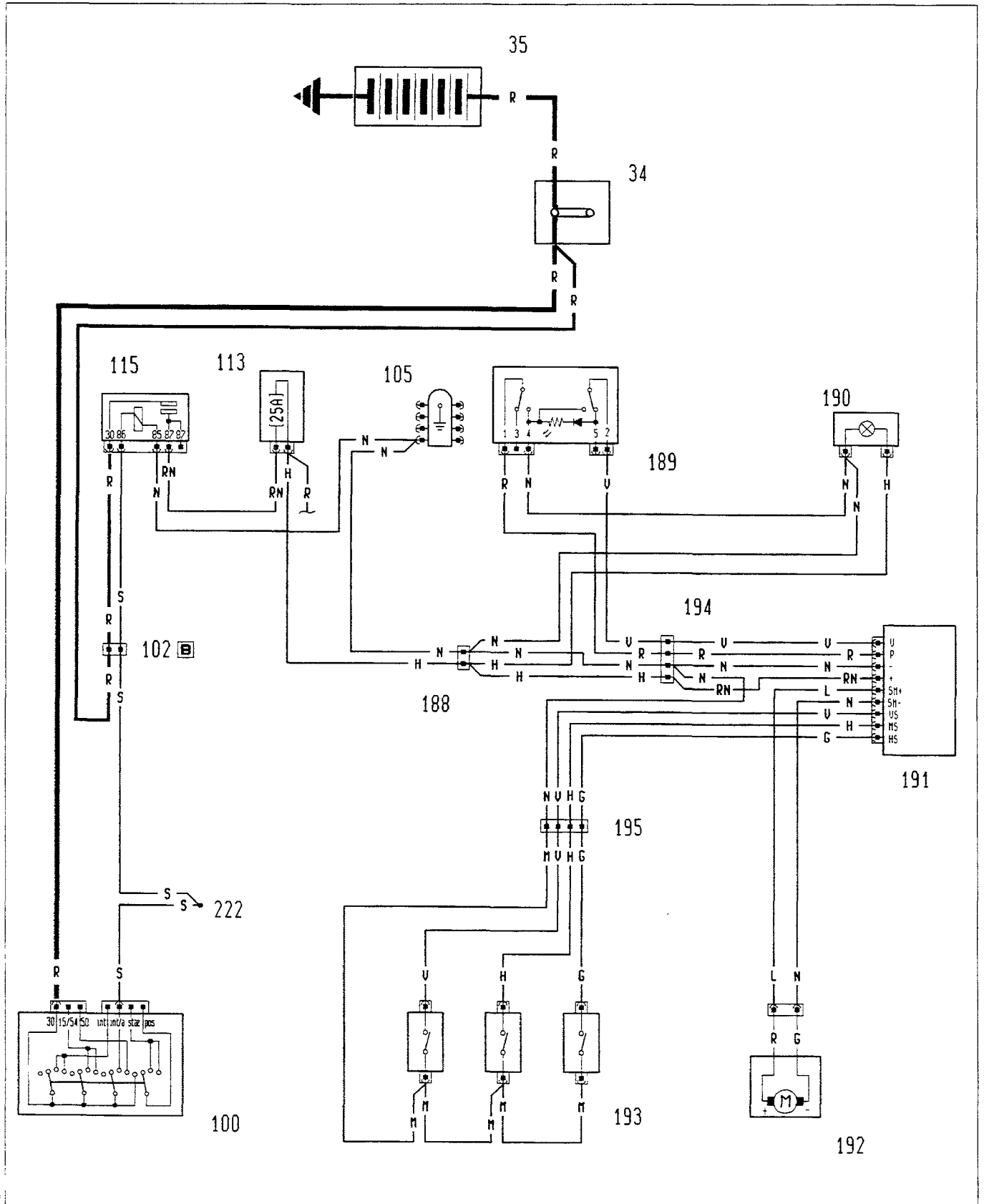
55.

Electric front windows - Central locking (see key at end of wiring diagrams)



P1L06DL01

Electric sun roof (see key at end of wiring diagrams).

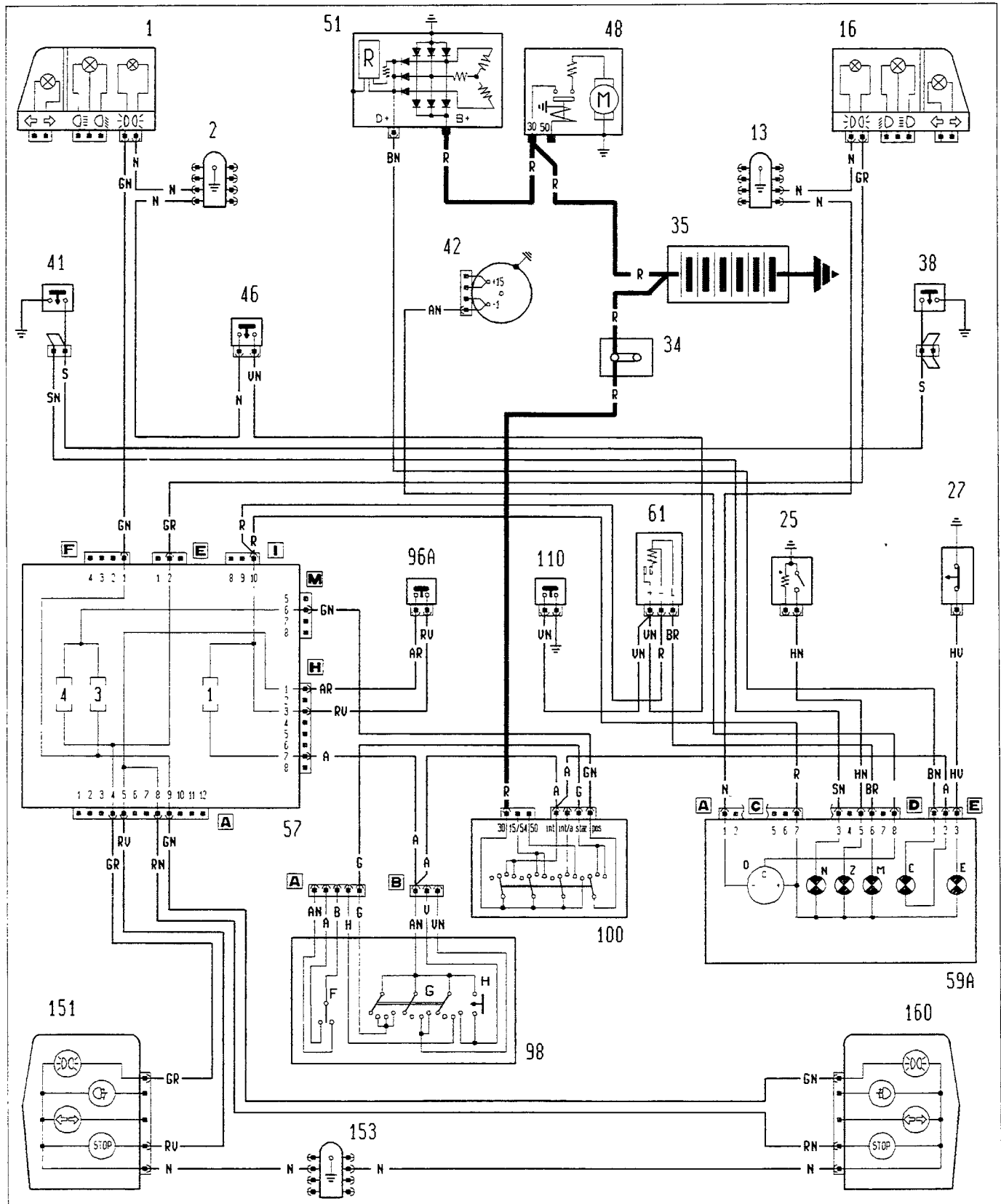


P1L07DL01

55.

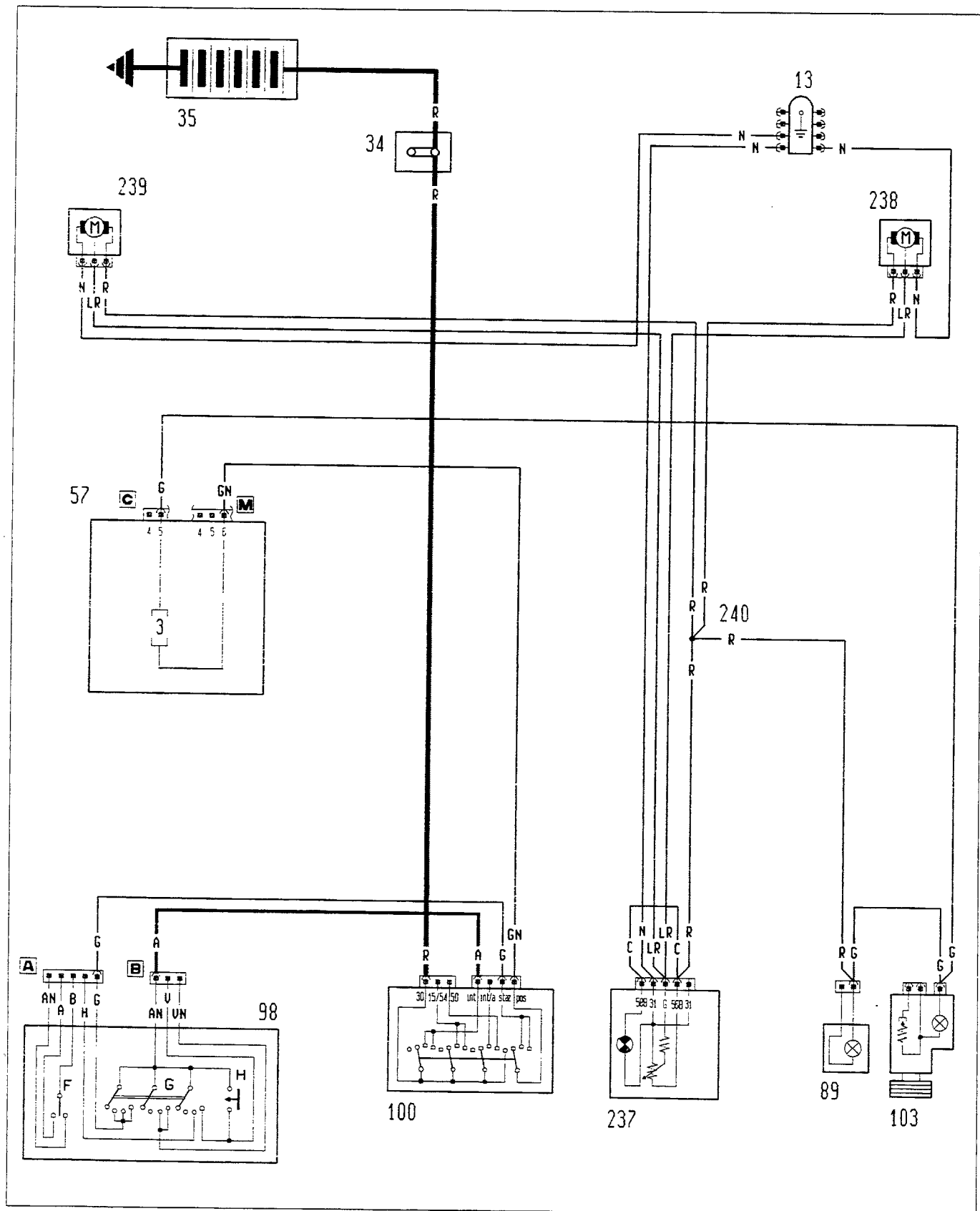
Version without Control-System

Parking lights and warning lamp - Braking lights - Handbrake applied and insufficient brake fluid level warning light - Battery re-charging warning light - Front brake pad wear warning light - Insufficient engine oil pressure warning light - Coolant overheating warning light - Rev counter (see key at end of wiring diagrams)



P1L08DL01

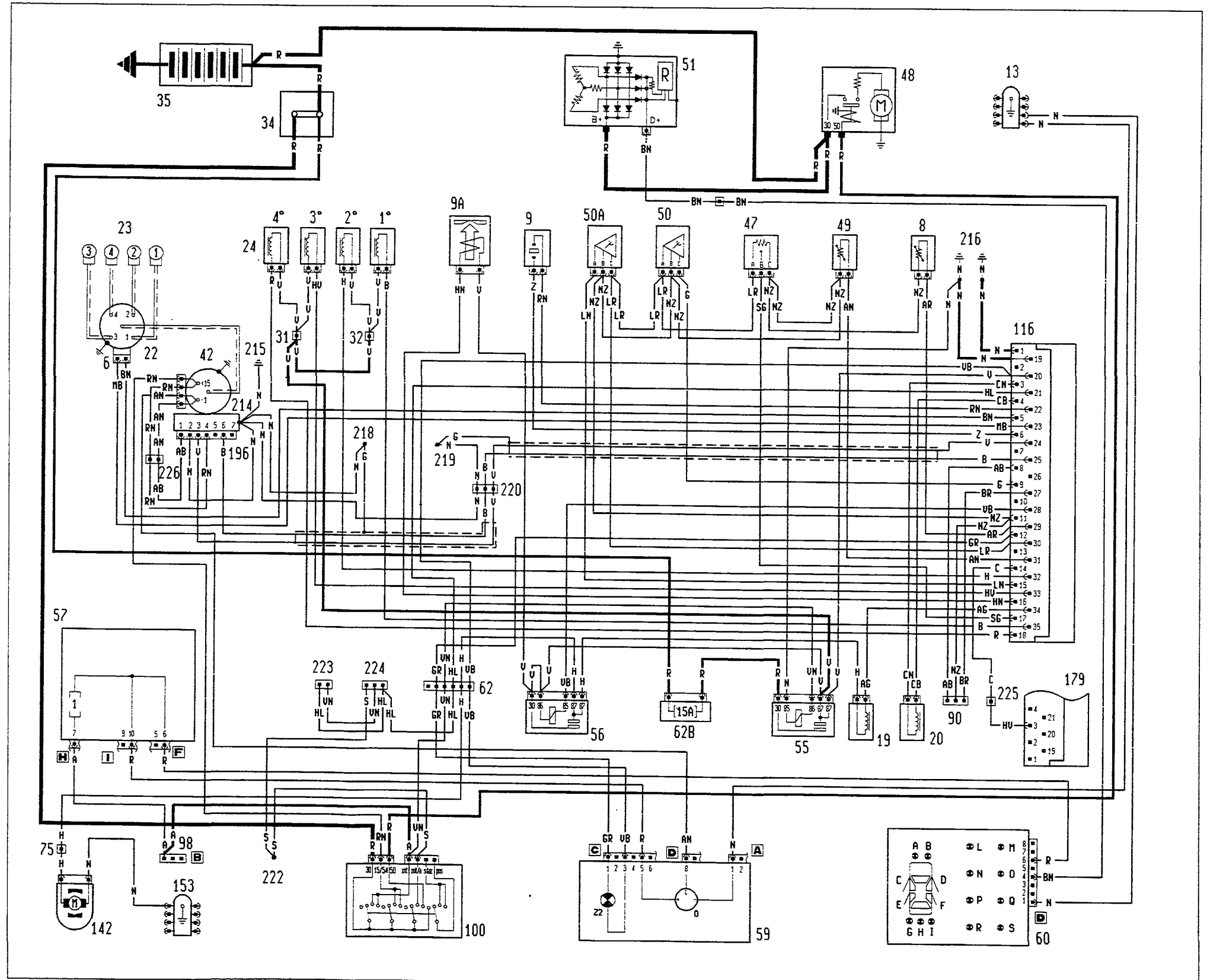
Headlamp alignment adjustment device (see key at end of wiring diagrams).



P1L09DL01

55.

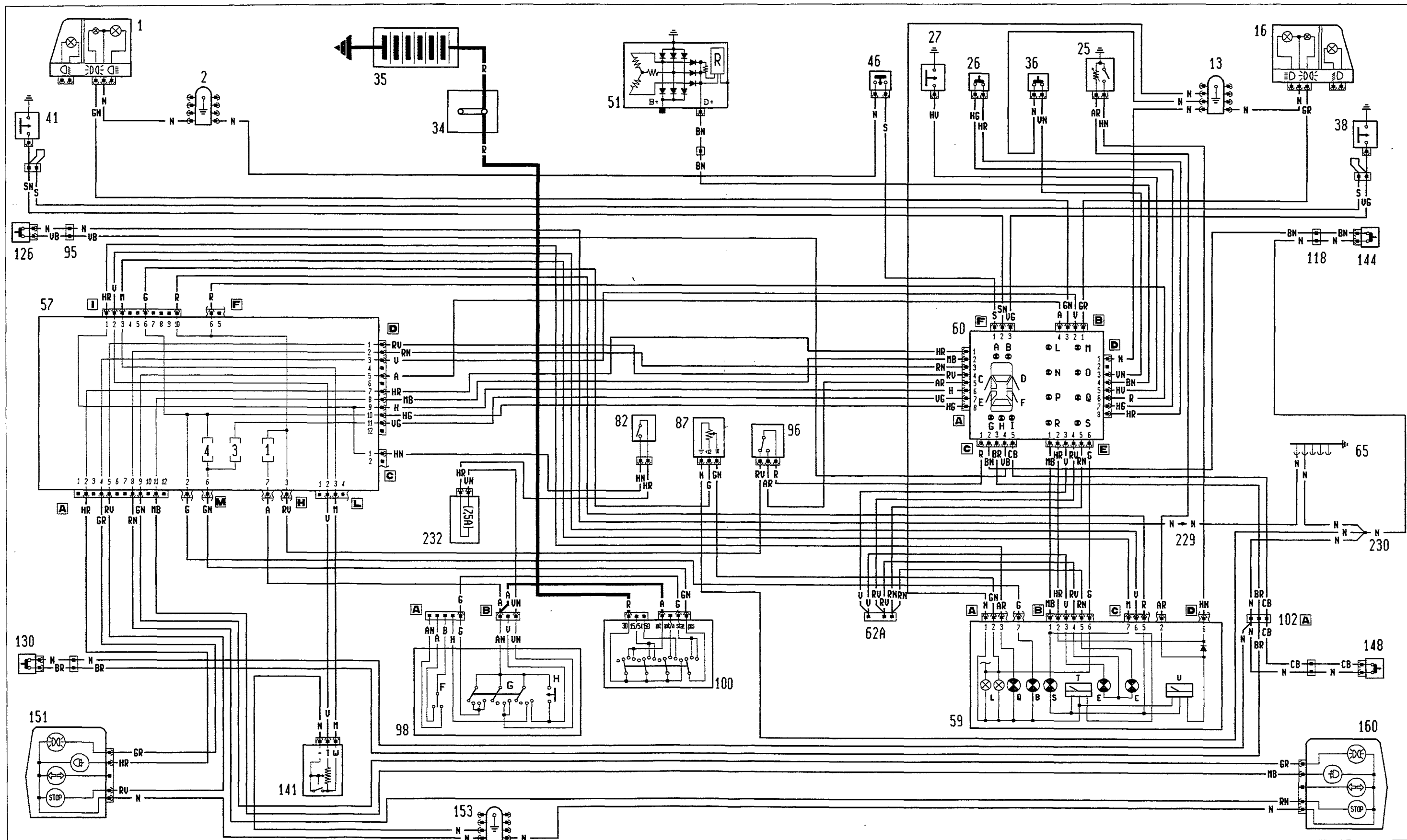
Starting - I.A.W. electronic ignition/injection - Recharging - Electric fuel pump - I.A.W. injection system failure warning light - Rev counter (see key at end of wiring diagrams)



P1L12DL01

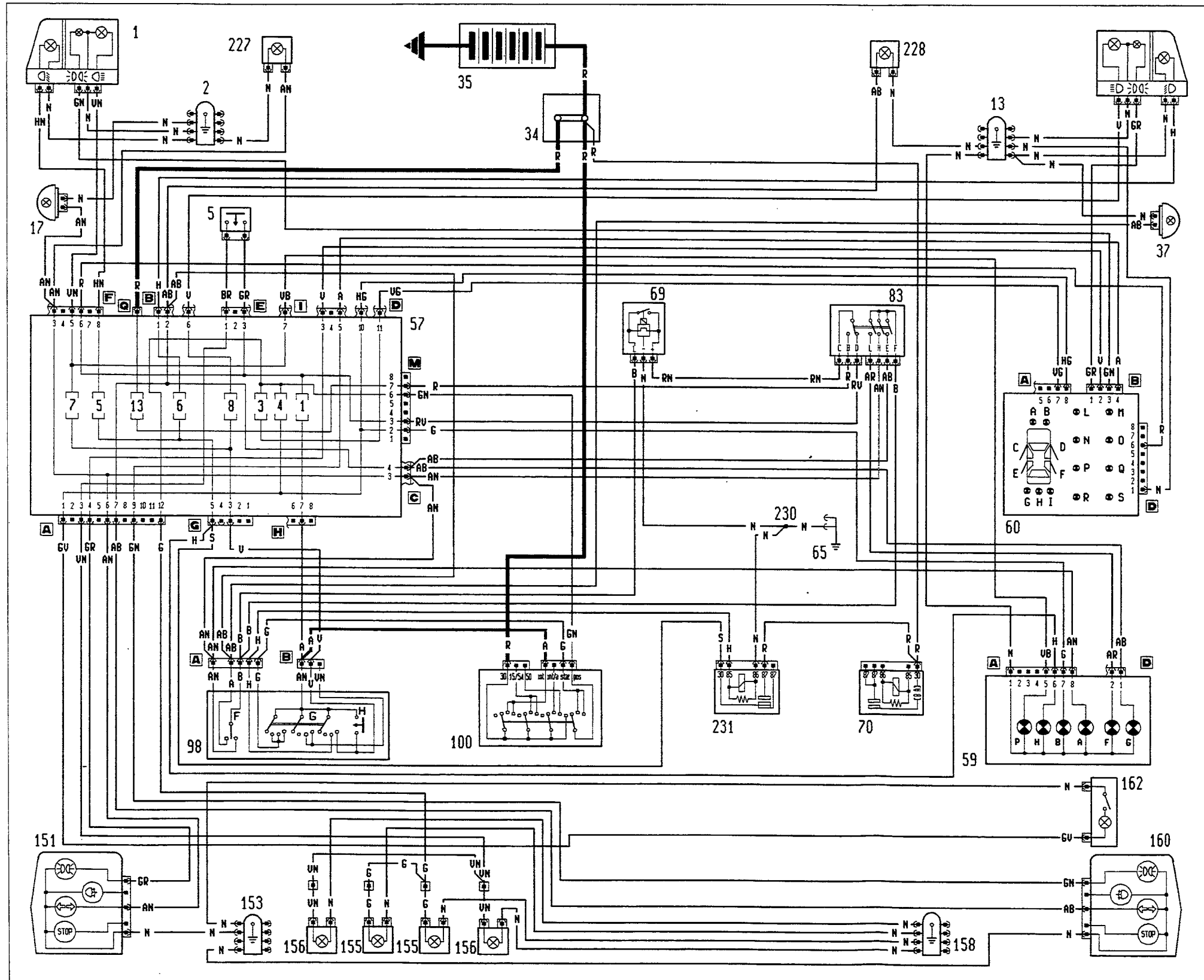
55.

Control-System (see key at end of wiring diagrams).



Version with Contol-System

Dipped headlamps and warning light - Main beam headlamps and warning light - Parking lights and warning lamp - Headlamp flasher - Number plate lights - Direction indicators and warning light - Hazard warning lights and warning light - Reversing lights - Luggage compartment light - (See key at end of wiring diagrams)



P1L11DL01

Key to components

- 1 Left front light cluster (side lights and dipped head-lamps)
- 2 Left front earth cable loom
- 3 Electric horns
- 4 Left fog lamp
- 5 Reversing lights switch
- 6 Timing sensor (located in ignition distributor)
- 8 Engine coolant temperature sensor (I.A.W.)
- 9 Detonation sensor
- 9A Controlled supercharging solenoid valve
- 10A Two speed thermal switch for engine cooling fan
- 11 Radiator cooling fan
- 12 Wiring for right fog light
- 13 Right front earth cable loom
- 16 Right front light cluster (side lights and dipped head-lamps)
- 17 Left side direction indicator
- 19 Automatic idle adjustment solenoid air valve (V.A.E) (I.A.W.)
- 20 Rpm and TDC sensor (I.A.W.)
- 22 Ignition distributor
- 23 Spark plugs
- 24 Fuel injectors (I.A.W.)
- 25 Engine coolant temperature sender unit and switch signalling coolant overheating
- 26 Engine oil level sensor
- 27 Insufficient engine oil pressure switch
- 28 Engine oil pressure sender unit
- 29 Engine oil temperature sender unit
- 31 Connector block for electronic injection (I.A.W.)
- 32 Connector block for electronic injection (I.A.W.)
- 34 Connector block
- 35 Battery
- 36 Coolant level sensor
- 37 Right side direction indicator
- 38 Right front brake pad wear sensor
- 41 Left front brake pad wear sensor
- 42 Ignition coil
- 46 Brake fluid level sensor
- 47 Butterfly valve position sensor (I.A.W.)
- 48 Starter motor
- 49 Air temperature sensor (I.A.W.)
- 50 Absolute pressure sensor (I.A.W.)
- 50A Absolute pressure sensor (I.A.W.)
- 51 Alternator
- 52 Heater fan
- 53 Electric fan speed resistor
- 54 Windscreen wiper motor
- 55 Injector relay feed (I.A.W.)
- 56 Electric fuel pump relay (I.A.W.)
- 57 Fuse carrier and relay control box:
 - E1 Electric horn relay
 - E2 Heated rear windscreen relay
 - E3 Ignition discharge relay
- 59 Instrument panel:
 - A Left side direction indicators warning light
 - B Side lights warning light
 - C Control System general fault warning light
 - E Starting go-ahead signal
 - F Hazard warning lights warning light
 - G Right side direction indicators warning light
 - H Dipped headlamps warning light
- I Fog lights warning light
- L Instrument panel light bulbs
- M Handbrake warning light
- N A.B.S. failure warning light
- O Rev counter
- P Main beam headlamps warning light
- Q Rear fog lamps warning light
- R Voltmeter
- S Fuel reserve warning light
- T Fuel level gauge
- U Coolant temperature gauge
- V Heated rear windscreen warning light
- X Electronic tachometer
- Z1 Seat belts not fastened warning light
- Z2 I.A.W. system failure warning light
- 59A Instrument panel (version without Control-System):
 - C Battery recharging warning light
 - E Insufficient engine oil pressure warning light
 - M Handbrake applied and insufficient brake fluid level warning light
 - N Front brake pad wear warning light
 - O Rev counter
 - Z Coolant overheating warning light
- 60 Control-System:
 - A Left front side lights failure warning light
 - B Right front side lights failure warning light
 - C Right front door ajar warning light
 - D Left front door ajar warning light
 - E Right rear door ajar warning light
 - F Left rear door ajar warning light
 - G Warning light signalling side lights, left rear brake lights failure
 - H Rear fog lamps warning light
 - I Warning light signalling side lights, right rear brake lights failure
 - L Insufficient brake fluid level warning light
 - M Front brake pad wear warning light
 - N Insufficient engine oil pressure warning light
 - O Battery recharging warning light
 - P Insufficient engine oil level warning light
 - Q Insufficient coolant level warning light
 - R Automatic transmission fluid overheating warning light
 - S Engine coolant overheating warning light
- 61 Intermittent device for handbrake warning light
- 62 Connector block
- 62A Control system diagnostic socket
- 62B 15 A protective fuse for injectors and electric fuel pump
- 63 Glove compartment light
- 64 Glove compartment light push button
- 65 Earth cable loom under dashboard

